

STANDARD MATERIALS AND CONSTRUCTION

- FRAME:** .081" thick (nominal) extruded aluminum, 6063-T52/T6 alloy. Frame also available in .125" thickness (nominal).
- BLADE:** .081" thick (nominal) extruded aluminum, 6063-T52/T6 alloy. Blades approximately 4" on centers.
- LOUVER FACE:** Full width sill, with blades and head contained in jambs.
- SCREEN:** (When indicated.)
 - 1/2" flattened aluminum (.051" thick),
 - or- 1/2" sq. mesh, intermediate double-crimped aluminum wire, .063" dia.,
 - or- 19/64 mesh, .011" dia. aluminum wire, insect screen.
- FINISH:** Mill

OPTIONS

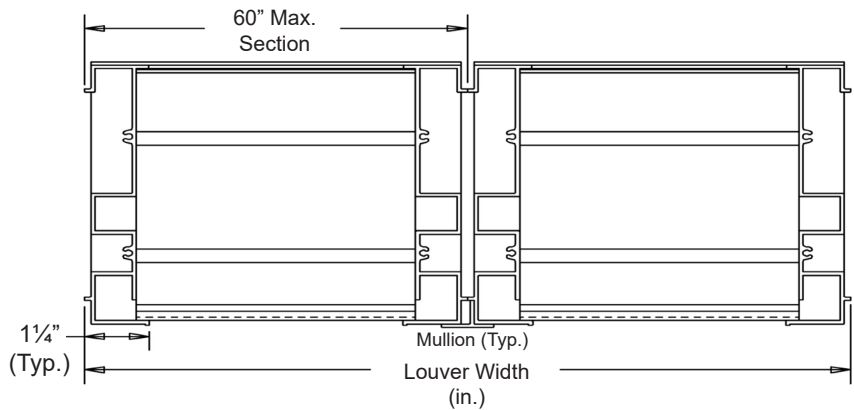
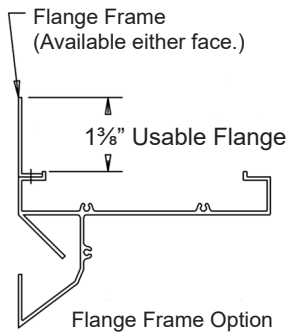
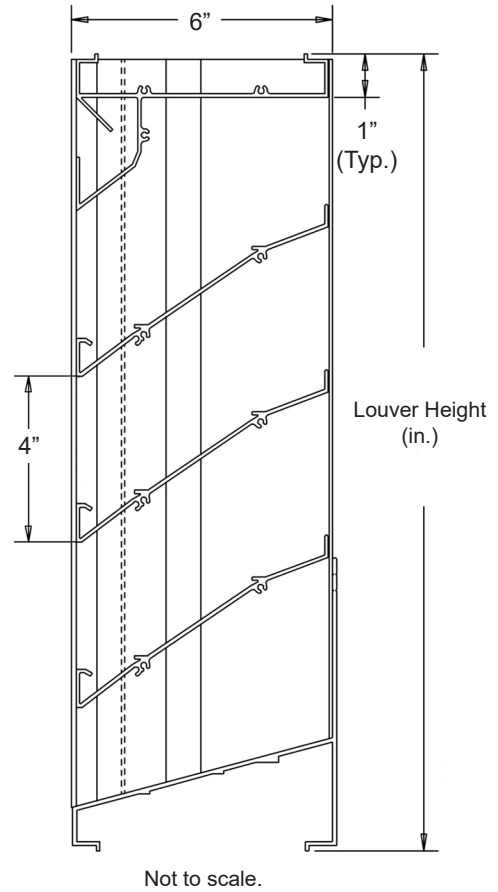
Finish - Baked Enamel, Kynar, Anodize


NOTES

1. Nominal deductions shall be made to the opening size given.
2. Approximate shipping weight is 4.0 lbs./sq.ft.

LOUVER SIZES

Min Panel	Max Single Panel
12"W x 12"H	60"W x 96"H

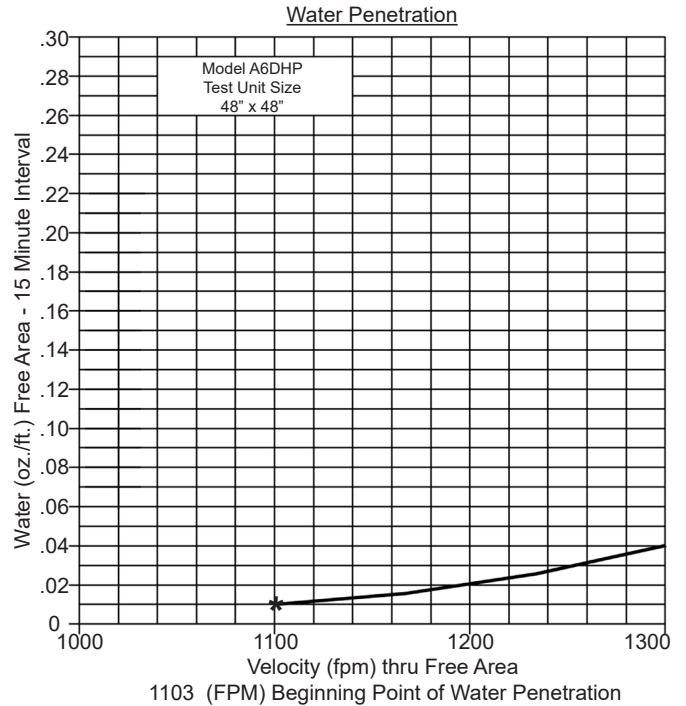
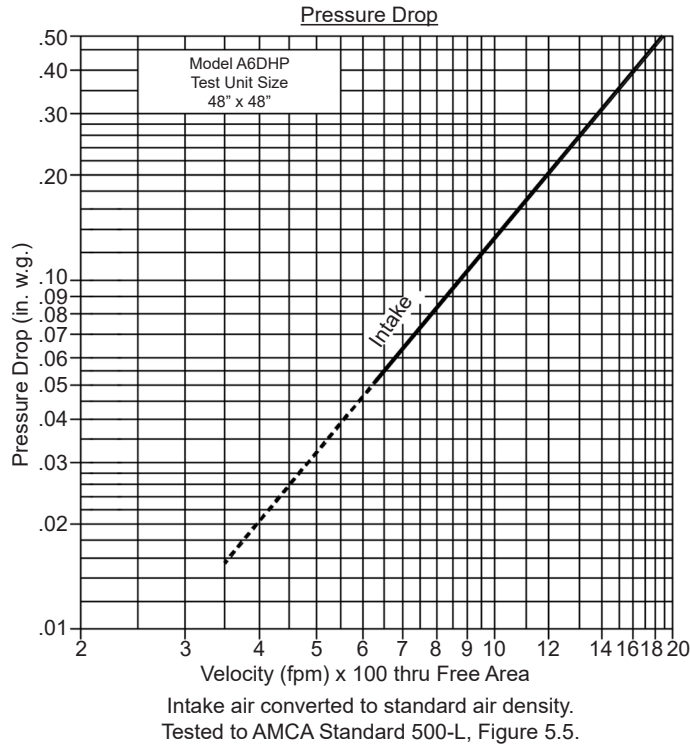


										 Union Made
Item #	Qty	Width	Height	Width	Height	Mullion	Type	Location		
		Opening Size		Louver Size			Screens			
Arch. / Eng. :						EDR:		ECN:		Job:
Contractor:										
Project:						Date:		DWN:		DWG:

PERFORMANCE DATA

Pressure Drop: .13 in. w.g. at 1000 fpm (intake)
 Free Area: 10.06 sq.ft. = 63% for 48"W x 48"H sample tested in accordance with AMCA Standard 500-L.
 Beginning Point of Water Penetration: 1103 fpm

Ratings do not include effects of a screen.



		Free Area (sq.ft.)								
		Width (in.)								
Height (in.)		12"	18"	24"	30"	36"	42"	48"	54"	60"
		12"	.29	.47	.66	.84	1.03	1.21	1.39	1.58
24"	.90	1.47	2.04	2.60	3.17	3.74	4.31	4.88	5.45	
36"	1.51	2.46	3.41	4.37	5.32	6.27	7.23	8.18	9.13	
48"	2.10	3.43	4.76	6.09	7.42	8.75	10.06	11.41	12.73	
60"	2.68	4.38	6.07	7.76	9.46	11.15	12.84	14.54	16.23	
72"	3.29	5.37	7.45	9.52	11.60	13.68	15.76	17.84	19.92	
84"	3.90	6.36	8.82	11.29	13.75	16.21	18.67	21.14	23.60	
96"	4.51	7.35	10.20	13.05	15.90	18.74	21.59	24.44	27.28	



Air Balance certifies that the Model A6DHP shown herein is licensed to bear the AMCA Seal. The ratings shown are based on tests and procedures performed in accordance with AMCA Publication 511 and comply with the requirements of the AMCA Certified Ratings Program. The AMCA Certified Ratings Seal applies to Water Penetration and Air Performance ratings only.